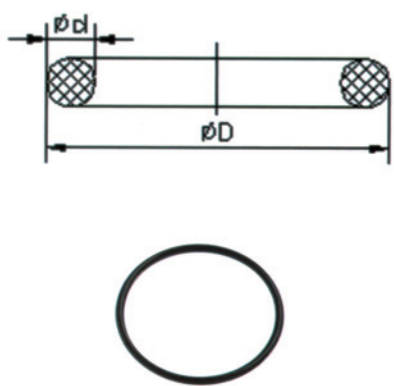


附件

NGd-橡胶护套

O型圈 O ring 防爆挠性连接管 Explosion-proof flexible connecting pipe



材质 Material 丁腈橡胶 NBR

CE RoHS

适用螺纹规格 Suitsble for thread specification		
公制M	NPT	G
M20	1 / 2	1 / 2
M25	3 / 4	3 / 4
M32	1	1
M40	1-1/4	1-1/4
M50	1-1/2	1-1/2
M63	2	2
M75	2-1/2	2-1/2
M80	3	3
M90	3-1/2	3-1/2
M100	4	4



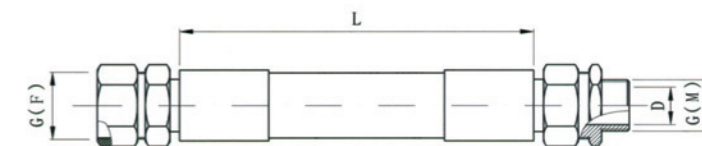
材质 Material 橡胶护套 Rubber sheath

特点 Features 适用于防爆电气设备进出线连接或钢管布线弯曲难度比较大的场所
Used in explosion-proof electrical equipment import connection or steel pipe bending more difficult places

比较适用于穿导线或比较细的电缆
Suitable for cable to wear a wire or fine

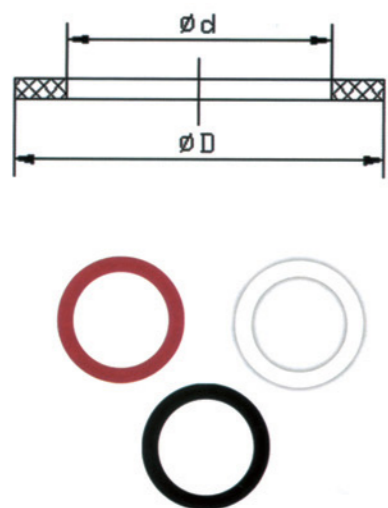
防爆标志 Ex mark ExdIIc Gb/Gb DIPA20 防护等级 Degree of protection IP66

工作温度 COT -60℃ ~100℃



平垫圈

Flat washer



材质 Material 丁腈橡胶 尼龙或纤维 (订货时请指明)
Nitrile rubber or nylon fiber (When ordering, please specify)

CE RoHS

适用螺纹规格 Suitsble for thread specification		
公制M	NPT	G
M12	1/4	1/4
M16	3/8	3/8
M20	1/2	1/2
M25	3/4	3/4
M32	1	1
M40	1-1/4	1-1/4
M50	1-1/2	1-1/2
M63	2	2
M75	2-1/2	2-1/2
M80	3	3
M90	3-1/2	3-1/2
M100	4	4

订购示例 (eg): NGd-20 x 700G3/4(F)/G3/4(M) I (两端接头可按客户要求定制)

单位:mm

规格型号 size	公称口径 nominal diameter	G (M)	G (F)	最小弯曲半径 minimum bending radius	长度 length	适用外径 Suitable diameter
NGd-15 x 700(1000)	15	G1/2	G1/2	80	700(或1000)	≤ Φ 8
NGd-20 x 700(1000)	20	G3/4	G3/4	110	700(或1000)	≤ Φ 10
NGd-25 x 700(1000)	25	G1	G1	145	700(或1000)	≤ Φ 16
NGd-32 x 700(1000)	32	G1-1/4	G1-1/4	180	700(或1000)	≤ Φ 18
NGd-40 x 700(1000)	40	G1-1/2	G1-1/2	210	700(或1000)	≤ Φ 21
NGd-50 x 700(1000)	50	G2	G2	250	700(或1000)	≤ Φ 34
NGd-70 x 700(1000)	70	G2-1/2	G2-1/2	350	700(或1000)	≤ Φ 54
NGd-80 x 700(1000)	80	G3	G3	400	700(或1000)	≤ Φ 58
NGd-100 x 700(1000)	100	G4	G4	500	700(或1000)	≤ Φ 75